

BTL Series



Mobile Refuse Cart Lifter

The **BTL series** is one of the best selling lines of lifters from **Bayne Premium Lift Systems**. This lifter was specifically designed to offer greater ground clearance for rear load applications, thus reducing the risk of damaging the lifter on uneven terrain such as alley entrances, landfills, etc. This additional ground clearance makes the BTL a perfect choice for rear load applications with commercial container lift bars. BTL lifters may be combined with a vertical assembly to make a VBTL lifter. VBTL models add 9" of vertical travel and 3 1/2" of thickness to the BTL lifter.

- Powered by the patented Thinline® rack and pinion rotary actuator for smooth operation
- Compatible with standard domestic style 2-bar carts
- Over 21" of ground clearance
- Thinline design works in conjunction with most commercial container lift bars
- Dumps cart higher and deeper inside the hopper opening to prevent spillage and increase route stops before cycling packer blade
- Self-lubricating composite bearings at main pivot points
- Powder-coated finish for durability
- 2-Year Limited Warranty



Premium Lift Systems

Precision, Quality and...Patented Engineering!

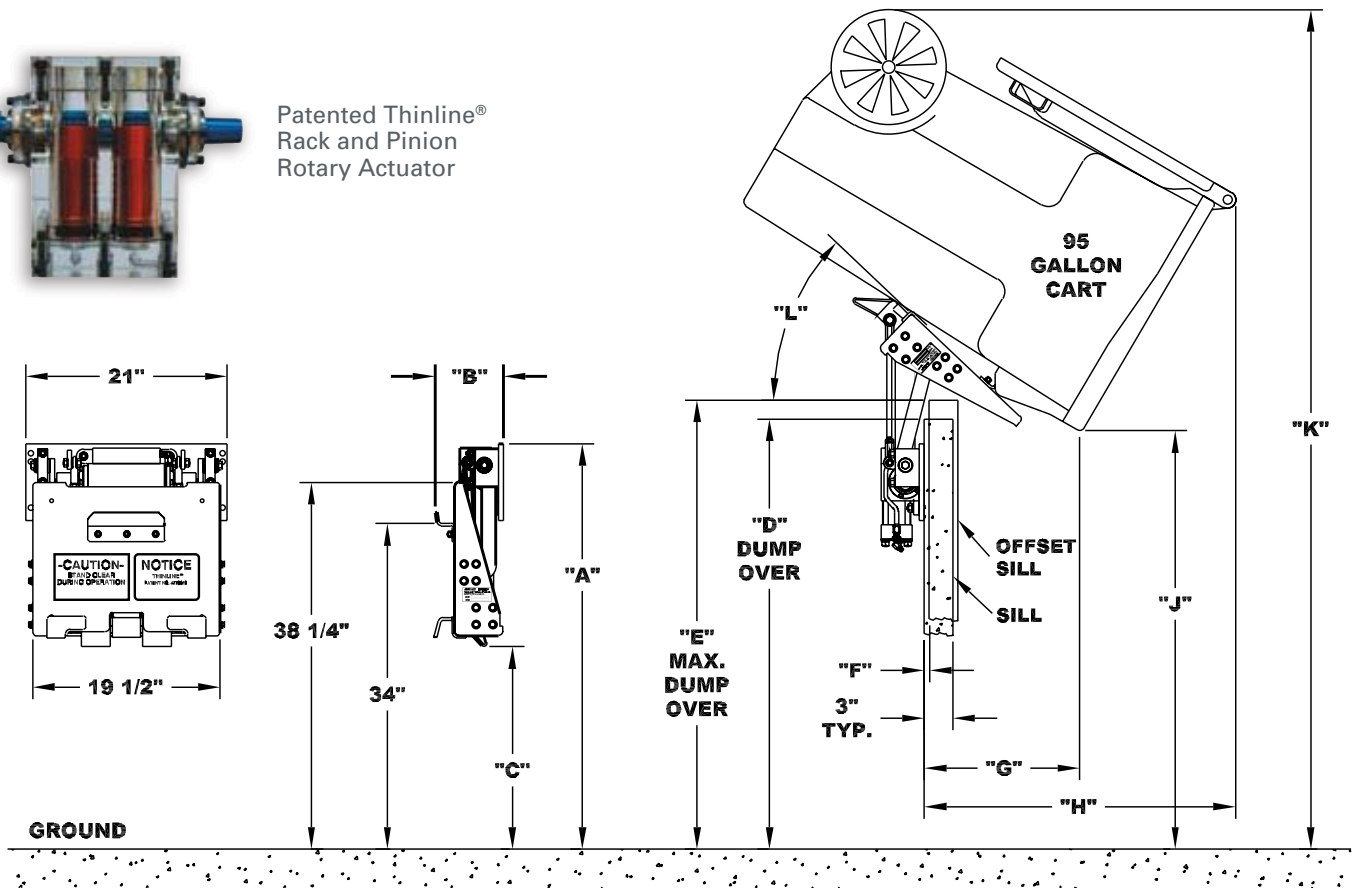
BTL Series

Specifications and Dimensions

Cart Compatibility:	ANSI Z245.60-2008 Type B Containers (domestic 2-bar carts)
Lift Capacity:	400 lbs @ 1800 psi
Hydraulic Pressures:	Working Pressure – 1800 psi Maximum Pressure – 2500 psi
Hydraulic Flow:	2.0 – 2.5 gpm
Cycle Time:	6–8 seconds (lifter only) 8–10 seconds (with 9" vertical)
Bearings:	Self-Lubricating Composite Material
Actuator:	Patented Thinline® Rack and Pinion Rotary Actuator
Finish:	Safety Yellow Powder Coating
Options:	<ul style="list-style-type: none"> • Tap-In-Kit • Mounting Plate Kit for Bolt-On Application • Commercial Container Bumper Kit



Patented Thinline®
Rack and Pinion
Rotary Actuator



MODEL NUMBER	"A" DIM.	"B" DIM.	"C" DIM.	"D" DIM.	"E" DIM.	"F" DIM.	"G" DIM.	"H" DIM.	"J" DIM.	"K" DIM.	"L" DIM.
BTL 1110	38 1/4"	7 1/8"	21 1/4"	39 1/8"	N/A	N/A	16 1/4"	32 3/8"	35 3/4"	79 5/8"	43°
BTL 1112	40 1/4"	7 1/8"	21 3/8"	42"	43 1/4"	3/8"	16 5/8"	31 1/2"	40 3/4"	83 1/2"	40°
BTL 1114	42 1/4"	7 1/8"	21 1/8"	44 3/4"	46 5/8"	1/2"	16 1/4"	32 1/2"	43 5/8"	87 5/8"	43°

Bayne Premium Lift Systems

910 Fork Shoals Road, Greenville, SC 29605 • www.baynethinline.com
Toll Free: 800.535.2671 • Local: 864.288.3877 • Fax: 864.458.7519

© 2009, Bayne Premium Lift Systems
Printed in U.S.A. Form #BLS-01-001-041505