



KB-20 SERIES



KBF 20H with TKB-1824 Body



**A FIVE-STAR RATING PLACES THE
KB-20 SERIES IN A CLASS OF ITS OWN.**

- ★ QUALITY
- ★ SAFETY
- ★ ECONOMICAL
- ★ USER-FRIENDLY
- ★ DURABILITY



All design, specifications and components are subject to change at the manufacturer's sole discretion at any time without notice. Data published herein is for information purposes only and shall not be construed to warrant suitability of the unit for any particular purpose, as performance may vary with the conditions encountered. The only warranty is our standard written warranty for this product at the time of shipment.



HOL-MAC CORPORATION • P.O. BOX 349 • BAY SPRINGS, MS 39422 • (601) 764-4121

www.e-pac-mac.com

REFUSE AND RECYCLING EQUIPMENT

TECHNICAL DATA AND SPECIFICATIONS

GENERAL SPECIFICATIONS:

Height of boom to ground in lowest travel position11 ft.
 Boom length (16 ft. with 4 ft. extension)20 ft.
 Body length (fixed)16, 17, 18 ft.
 (Optional boom lengths available)
 Lifting capacity at 20 feet (with grapple)3300 lbs.
 Weight of loader body and truck (empty)22,500 lbs.
 Outrigger extended12 ft.
 retracted8 ft.
 Body hoist capacity30,000 lbs.

BUCKET:

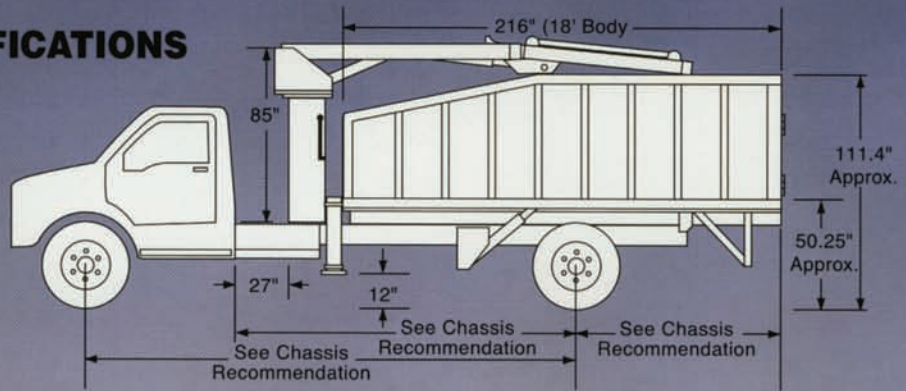
360° continuous rotation. Optional 270°
 Width4 ft.
 Fully open5 ft.
 High strength tempered steel replaceable cutting edges

RECOMMENDED CHASSIS:

Cab to axleSee Chassis Requirements
 Front axleMinimum 12,000 lbs.
 Rear axleMinimum 21,000 lbs.
 GVWMinimum 33,000 lbs.
 EngineMinimum 210 HP
 Transmissionautomatic or manual
 Frame1,500,000 RBM

BODY:

Length:18, 19, 20 ft.
 Capacity:20, 24, 25, 30 cu. yds.
 Tilt to 45° for dumping
 Two heavy-duty "barn type" doors
 Floor - 3/16 inch smooth steel plate
 Sides - 10 gauge smooth steel plate



The **KB-20 Series** has been designed for easy operator access, easy service, easy maintenance and with the low initial cost, it makes this loader a great **ECONOMICAL** package.



A **USER-FRIENDLY KB-20 Series** truck body makes loading and unloading heavy, bulky materials easier. Two heavy-duty doors swing completely open for easy discharge. Also available is an optional scow (open back) type body.



QUALITY – The **KB-20 Series** boom hoses are protected from debris with no hoses exposed below the rotator. The boom is equipped with a continuous rotating grapple. The grapple is constructed with bolt-on heat-treated steel cutting edges. The edges are overlapping allowing the grapple to close completely. This is a distinct feature that puts this grapple in a **CLASS OF ITS OWN**.



SAFETY features include hydraulic hoses enclosed in a pedestal structure. For superior safety, the **KB-20 Series** features pilot operated check valves as an integral part of each boom and outrigger cylinders. Shown with optional pilot operated electronic joystick controls.



DURABILITY – The **KB-20 Series** truck body is equipped with twin telescopic dump cylinders, providing a 45-degree body tilt. The **KB-20 Series** offers a structurally sound, heavy-duty body that will stand the test of time.

DISTRIBUTED BY



All design, specifications and components are subject to change at the manufacturer's sole discretion at any time without notice. Data published herein is for information purposes only and shall not be construed to warrant suitability of the unit for any particular purpose, as performance may vary with the conditions encountered. The only warranty is our standard written warranty for this product at the time of shipment.

HOL-MAC CORPORATION • P.O. BOX 349 • BAY SPRINGS, MS 39422 • (601) 764-4121

www.e-pac-mac.com

REFUSE AND RECYCLING EQUIPMENT